

SmartBank II owners/installation manual

1 - DESCRIPTION

SMARTBANK II is an auto-battery combine controller that monitors two battery banks and by making accurate measurements decides when to parallel them to allow simultaneous charging and when to separate them to prevent cross-discharging.

Unlike conventional split charge systems using diodes or relays SMARTBANK II is not affected by where the charge is coming from, nor does it have to be separately controlled by alternator signals, manual switches etc. There is nothing for you to forget. Neither does it suffer from the voltage drop problems of split charge diodes.

SMARTBANK II automatically controls charging of 2 battery banks no matter which battery bank is being charged. Whether it is an alternator, solar panel, wind generator or AC powered charger SMARTBANK II will take care of it automatically. You make sure your charge source is connected to one battery bank. SMARTBANK II will take care of the other one, totally automatically. No more flat engine batteries because you forgot to switch the battery selector over. No more uncharged house bank.

Not only is SMARTBANK II better than a standard split charge relay or diode set up but it's actually simpler and quicker to install. In most instances 3 wires is all you need !

Should a fault occur in your charge source producing an over voltage situation SMARTBANK II will disconnect the other battery bank to prevent damage to it.

An optional remote panel is available which connects to SMARTBANK II simply by plugging in an RJ11 type cable (supplied with the remote).

SMARTBANK II has been designed and built using ultra low power semi-conductors and ultra low power design techniques which results in a standby current that is so low, no ON/OFF switch is required. Therefore you can never forget to switch SMARTBANK II on because you never need to switch it off. Standby power consumption is less than 0.2 Ah per week.

SMARTBANK II also uses switch mode technology to control the relay coil and thus keep the power consumption to an absolute minimum whilst in the connected mode (typically using less than half the power of an equivalent standard split charge relay). This is vital when a small charge source such a solar panel is being relied upon to maintain batteries.

SMARTBANK II is available in 3 sizes. For installations with up to 80, 125 or 200 amp charging sources. SMARTBANK II/80, SMARTBANK II/125 and SMARTBANK II/200

SMARTBANK II is also available as an OEM unit which consists of just the main control unit, without the relay or mounting plate. Known as the SMARTBANK II OEM this unit allows installers to use their own preferred relays (of almost any type and size) but still benefit from all the advantages of SMARTBANK II. A simple 5 wire connection is required between the SMARTBANK II OEM and the relay and GND. The SMARTBANK II OEM can be mounted anywhere. Installers will notice the vastly reduced current consumption and much cooler running temperature of their usual relay choice when using this option. SMARTBANK II OEM is identical in functions and features to the standard SMARTBANK II and can be used with the optional remote panel.

Additional features only available with the optional remote panel

LED status indicators showing STANDBY mode, CONNECTED mode and HI VOLTAGE FAULT.

Manual override switch to manually connect the relay for emergency engine starting.

How SMARTBANK II works.

SMARTBANK II continually monitors both battery banks. Should either battery status indicate that a charge source is available SMARTBANK II will connect the batteries together via the relay ensuring that both battery banks are charged. This will not happen immediately. There will be a short delay while SMARTBANK II verifies that the charge source is valid. Once the charge source is removed (or a very heavy load is connected that risks flattening all the batteries in the event that the charge source cannot keep up with the current requirements) it will disconnect the banks ensuring that your house bank loads do not discharge the engine battery. All settings are user adjustable.

--ooOoo--

2 - INSTALLATION

Installation could not be simpler.

WARNING Incorrect wiring of this unit may cause serious damage to the electronic circuit and/or relay that will not be covered by the warranty.

It is recommended that the main control unit be sited as close to the batteries as possible. Not only does this make the cable installation easier but it also reduces the losses that would otherwise occur with running high battery charge currents through long battery cables.

WARNING The usual precautions regarding relays in proximity to possibly explosive battery gasses should be taken. If in doubt consult a qualified marine/auto electrician.

As all control and indication is by way of the optional remote panel, the siting of the main control unit can be made purely on a “safety and ease of installation basis”.

WARNING This unit contains sensitive electronic circuitry and the usual precautions should be taken regarding water, dirt and oil ingress etc.

Refer to the diagram for your particular unit. If installing a SMARTBANK II OEM referring to either of the three diagrams will show the required wiring system.

WARNING. Incorrect wiring to any of the terminals may cause serious, irreparable damage to the unit that will not be covered by the warranty.

It is recommended that 1mm² cabling be used for the connections to the main terminal block. If the GND connection (or in the case of the OEM unit the connections between B1, B2, and the relay terminals) needs to be over 3 metres for any reason then it is recommended that this cable be increased to 2mm². This is purely to increase the accuracy of the voltage measurements.

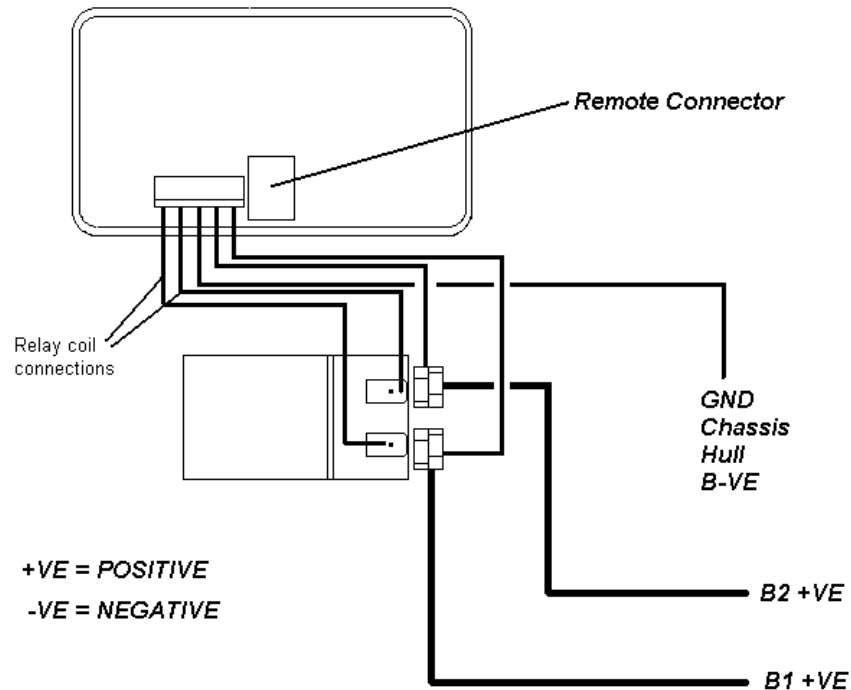
The cabling from the batteries to the main relay terminals cannot be specified in this manual as it depends upon the installation and cable lengths etc. As a rough guide you should use cable that will have a maximum voltage drop of 0.1 volts at the maximum charge rate in your installation. Obviously this depends upon the cable length. If in doubt consult a qualified marine/auto electrician.

In any event a cable capable of handling the maximum charge capability of the installation **MUST** be used. Your cable supplier will be able to advise you on this point.

Failure to adhere to these instructions could result in overheating of the battery cables.

--ooOoo--

3 - SmartBank II Installation Diagram



Please note that your relay may look different to the one in the diagram. It will be obvious which contacts are the coil contacts and which are the switched contacts. If you are unsure please contact us or the relay supplier if you supplied your own relay (OEM units)

SmartBank II OEM installation note

Mounting holes are drilled in the back of the main case. These holes have a corresponding clearance on the PCB. Screws with a head diameter up to 8mm may be used with safety. Use of screws larger than this may cause short circuits on the back of the PCB. These holes are countersunk and countersunk screws should be used.

--ooOoo--

4 - SET UP PROCEDURE

Decide on your voltage set points. If you are unsure of these refer to section 5 for standard set up guidelines. Professional installers may have their own preferred settings depending upon the installation.

There are three methods of setting up SmartBank. Choose the method that best suits your available equipment and experience. If you ordered a ready calibrated unit and specified the battery and charger types you will not need to carry out this procedure.

STANDARD SET UP

NOTE. If setting up an installation with the remote panel ensure that the switch is in the up position. Yellow LED will be OFF..

1. Turn VR1 and VR3 fully clockwise. Turn VR2 fully anti-clockwise. If using a remote panel the Green LED will be pulsing. Red LED off. Yellow LED off.
2. Run the batteries down a bit. Switch on a charge source (engine alternator, AC powered charger, wind generator, whatever you normally use) and monitor the battery voltage until you see your desired CONNECT voltage. As soon as you see this voltage adjust VR1 very slowly anti-clockwise until you hear the relay click in - stop turning as soon as you hear it click. If the voltage rises quickly past your desired CONNECT voltage, you will have to discharge the batteries further and repeat the procedure
3. Switch off the charge source and again monitor the battery voltage as it falls. As soon as you see your desired DISCONNECT voltage turn VR2 very slowly clockwise until you hear the relay click out.
4. Leaving both VR1 and VR2 where they are, run the batteries down a touch and start charging again. Monitor the battery voltage as it rises and you should hear the unit connect at your desired CONNECT voltage. Switch off the charge source and watch the voltage fall. You should see the unit disconnect at your desired DISCONNECT voltage. If this does not occur at the correct voltages leave VR1 and VR2 where they are and repeat the above procedure from stage 2 again. It will be closer this time !
5. Set VR3 according to the table in section 11

NOTE. If using the optional remote panel you can rely on the green led turning to solid green to signify CONNECT and reverting to pulsing green to signify DISCONNECT.

Set up is complete

ADVANCED SET UP PROCEDURE (for professional installers - the quickest method)

NOTE You will need a digital voltmeter with an input impedance of at least 10M ohms (fluke 7 and 8 series etc). Use of a lower input impedance meter will result in a wildly inaccurate set up.

It is not necessary to rely on any particular voltage of the batteries to carry out this set up procedure.

1. Measuring the voltage between the GND terminal and TP1, adjust VR1 until this voltage reads exactly half (one quarter for 24 volt systems) of the required connect voltage.
2. Measuring between the GND terminal and TP2 adjust VR2 until this voltage reads exactly half (one quarter for 24 volt systems) of the required disconnect voltage minus 0.3. (ie for a disconnect voltage of 12.8 volts TP2 should measure $12.8/2 - 0.3 = 6.1$ volts)
3. Set the hi voltage disconnect as per the table in section 11

Set up is now complete.

VERY ADVANCED SETUP PROCEDURE.

For engineers with considerable workshop equipment there is a much simpler, quicker and more accurate set up procedure that we use prior to shipment. Details are available on request but you will need access to a highly accurate DC power supply and an oscilloscope. Details of this procedure are only available to professional installers.

--ooOoo--

5 - BATTERY TYPES

These are typical figures required for various battery types assuming that the correct battery charger is being used for the batteries. Clearly if the wrong battery charger is being used (ie charging at an incorrect voltage for the selected battery type) then these voltages will possibly need to be adjusted. If in doubt consult a qualified marine/auto electrician or contact your dealer.

Wet cell batteries.

Connect voltage	13.2v (26.4 on 24 volt systems)
Disconnect voltage	12.8v (25.6 on 24 volt systems)
Hi volt disconnect	14.8v (29.6 on 24 volt systems)

Gel cell batteries

Connect voltage	13.4v (26.8 on 24 volt systems)
Disconnect voltage	12.8v (25.6 on 24 volt systems)
Hi volt disconnect	14.6v (29.2 on 24 volt systems)

AGM batteries

Connect voltage	13.4v (28.8 on 24 volt systems)
Disconnect voltage	12.8v (25.6 on 24 volt systems)
Hi volt disconnect	15.0v (30.0 on 24 volt systems)

--ooOoo--

6 -SPECIFICATIONS

Connect voltage range 13.0 to 13.8 volts (26.0 to 27.6 volts on 24 volt systems)
Disconnect voltage 12.7 to 13.2 volts (25.4 to 26.4 volts on 24 volt systems)
Hi voltage disconnect range 14.0 to 16.4 volts (28.0 to 32.8 volts on 24 volt systems)

Standby current draw (all units) < 0.001 amp (< 0.02 watts) with remote
< 0.0004 amp (< 0.005 watts) no remote

Connected current draw	80 amp	< 170 mA	(< 2.3 watts)
	125 amp	< 240 mA	(< 3.2 watts)
	200 amp	< 250 mA	(< 3.4 watts)

Connected current draw cannot be specified for SMARTBANK II OEM as it depends almost entirely upon the relay used but will typically be between 25 to 50% of the usual coil current consumption for the relay chosen. SMARTBANK II never uses more than 0.001 amps for it's own purposes while in standby or 0.008 amps maximum in any other mode.

Specifications are subject to change without prior notification.

--ooOoo--

7 - TROUBLE SHOOTING

Symptom	Possible problem
Green LED lights up solid but the relay does not energise	Faulty connections between C1 or C2 terminals on the connector block and the relay coil. Faulty relay.
Red LED is on permanently	The charge source is charging at a higher voltage than the hi voltage setting. Check the charge source voltage is correct or readjust VR3 A 12 volt unit is installed in a 24 volt system. SmartBank has successfully detected a CONNECT voltage but the DISCONNECT voltage is set higher than the CONNECT voltage. Run through the set up procedure.
Charge source is switched on, the unit connects then disconnects almost immediately	The charge source is connected to the smaller battery bank and the larger bank is deeply discharged. This can cause the overall voltage to fall below the disconnect voltage when the banks are connected together. Either move the charge source to the larger battery bank or lower the disconnect voltage. DISCONNECT voltage and CONNECT voltage are set too close together.
The unit simply will not connect. Green LED flashing.	Disconnect voltage is set higher than the connect Voltage (RED LED will be lit). Refer to setting up procedure. Charge source is set lower than CONNECT voltage. Either increase the charge voltage or decrease the CONNECT voltage. No charge source available or faulty charger. 24 volt unit installed in a 12 volt system
Red Led flashes briefly on Connect.	This is normal if the charge source is connected to battery 2. If it remains on for more than 10 seconds there is a problem with the relay.

--ooOoo--

8 - OVERVOLTAGE ADJUSTMENT

Many users do not require the overvoltage cut out. If that is the case for your installation then it is recommended that the adjustment (VR3) be turned fully clockwise. This will effectively set the overvoltage higher than 16.4 volts and prevent false triggering.

Adjustment of the overvoltage set point can be achieved in either of the following methods.

By interpolating between the following given values:-

VR3 position	Overvoltage cut out
9 o'clock	13.6 volts
10 o'clock	14 volts
11 o'clock	14.5
12 o'clock	15 volts
1 o'clock	15.5
2 o'clock	16 volts
3 o'clock	16.4 volts

By increasing the charge voltage on the charger until the RED LED lights thereby showing overvoltage cut out.

--ooOoo--

9 – NOTES FOR PROFESSIONAL INSTALLERS

If you are not a professional installer who is “au-fait” with electronics and battery charging regimes do not read this section ! No advice will be given and no correspondence entered into regarding any information contained within this section.

1. Overvoltage cut out can be completely disabled by locating D5 on the PCB and removing it. This will prevent the relay opening during an overvoltage situation.

2. The RED LED will continue to show an overvoltage situation but the relay will remain closed. If this is not desired then locating and removing R29 on the PCB will prevent the LED illuminating during overvoltage situation.

3. In a power critical installation it may be desirable to reduce even the very low power consumption of the SMARTBANK II by fitting an on/off switch. This can be achieved by wiring a SPST switch in series with R33 on the PCB. This will kill all power to the control circuitry and reduce the power consumption from 700uA to around 100uA.

--ooOoo--

[030430]